



PRODUCT DATA SHEET



KAMINHORN stainless steel chimney systems: Nerolnox, Practicnox and Primolnox

1. Presentation:

Type I. SINGLE-WALLED METAL CHIMNEYS (SP)

EN 1856-1 T400 N1 W Vm L20050 G 100 Diameter: Ø80 ÷ 400 mm wall thickness: 0.5mm

EN 1856-1 T400 N1 W Vm L20070 G 200 Diameter: Ø450 ÷ 800 mm, wall thickness: 0.7mm

Type II. DOUBLE-WALLED METAL CHIMNEYS (DP)

EN 1856-1 T400 N1 W Vm L20050 G 95 Diameter: Ø80 ÷ 400 mm, outer wall thickness: 0.5mm

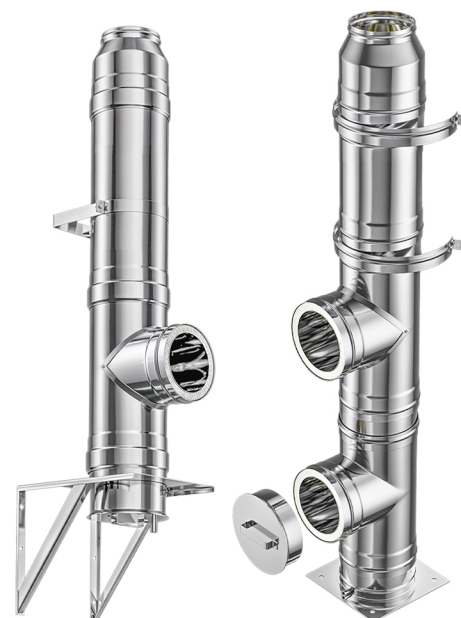
EN 1856-1 T400 N1 W Vm L20070 G 105 Diameter: Ø450 ÷ 800 mm, outer wall thickness: 0.7mm

Kaminhorn professional chimneys are designed to evacuate flue gases from heat sources using solid, liquid or gaseous fuel, in compliance with the regulations in force.

The Kaminhorn chimney is CE certified for operation at temperatures up to 400°C, continuous operation, with identification number 2204 CPR 01176.1.

The height of the stainless steel chimney is determined according to the customer's requirements. The chimney can be started from below, from the ground with the "level O" base or from the wall with the mounting bracket.

The chimney construction is of the "double insulated wall" type, with ceramic wool - 2.5cm thickness, 128 kg/mc density.



AVAILABLE DIAMETERS:

- | | |
|----------|----------|
| Ø 100 mm | Ø 250 mm |
| Ø 130 mm | Ø 300 mm |
| Ø 150 mm | Ø 350 mm |
| Ø 160 mm | Ø 400 mm |
| Ø 180 mm | Ø 450 mm |
| Ø 200 mm | Ø 500 mm |
| Ø 230 mm | Ø 550 mm |

INTERNAL DIAMETER	OUTER DIAMETER
100 mm	150 mm
130 mm	180 mm
150 mm	200 mm
160 mm	210 mm
180 mm	230 mm
200 mm	250 mm
230 mm	280 mm
250 mm	300 mm
300 mm	350 mm
350 mm	400 mm
400 mm	450 mm
450 mm	500 mm
500 mm	550 mm

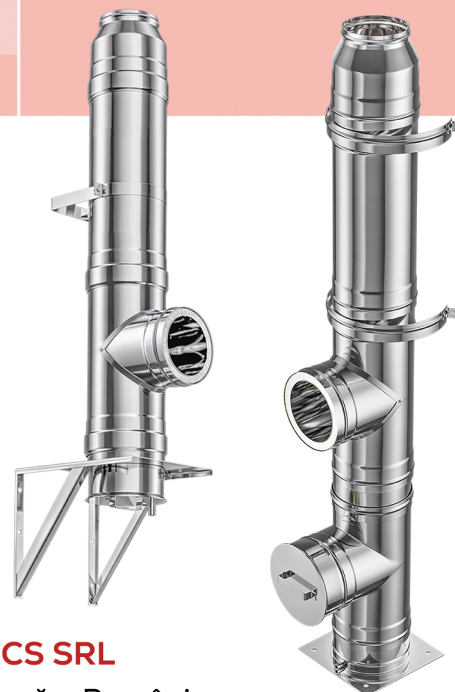
KAMINHORN

FIREPLACES AND CHIMNEYS

PRODUCT DATA SHEET



Key Features	Performance	Harmonized technical armonizate
Thermal class	T400	EN 1856-1:2009
Resistance to fire from inside to outside (caused by soot)	TIP I DN(80-400): T400 G100 DN(400-800) T400 G200 TIP II DN(80-400): T400 G95 DN(400-800): T400 G105	
Gas tightness/leakage	N1	
Resistance to flow	0,1 m	
Resistance to heat transfer	NPD	
Resistance to compression of internal piping	$\geq 10 \text{ MN/m}^2$	
Resistance to thermal shock	Check	
Resistance to corrosion	Check - V2	
Resistance to frost	Check	
Durability to condensation and vapour	Check	
Resistance to rainwater from outside	Check	



PRODUCED BY:

SC AB GROUP CERAMICS SRL

Preluci, Nr 3, Agăș, Jud. Bacău, România

IN THE FACTORY:

Kaminhorn - Fabrica de hornuri

Strada Combinatului, nr 94, Comănești, Jud. Bacău, România